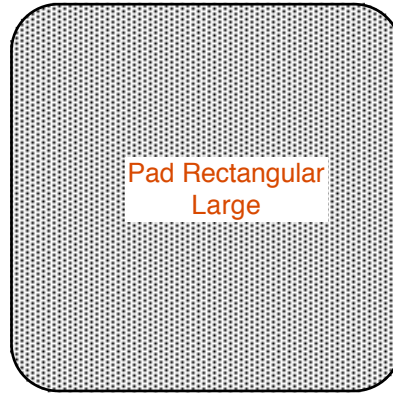
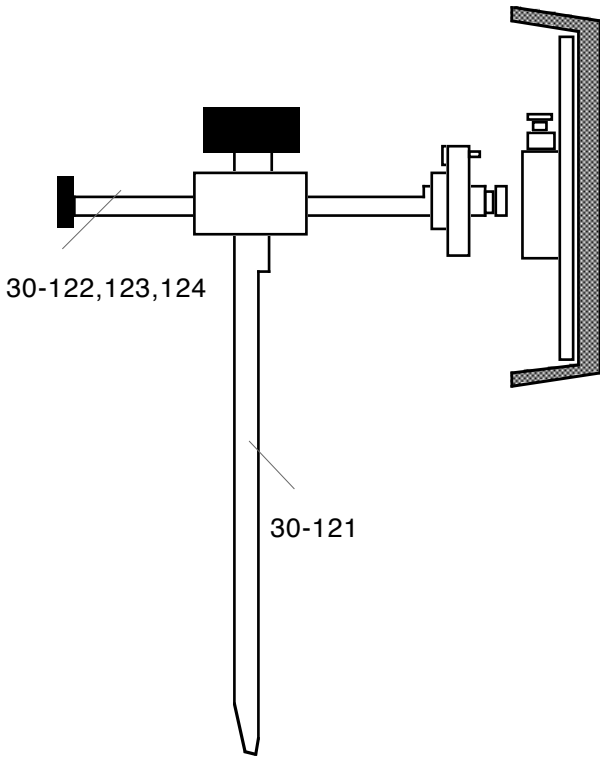


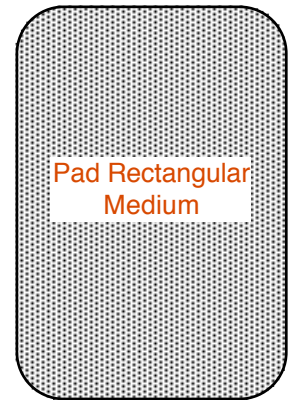
Lateral Rest / Hip Clamp

*Patient positioning system with array of additional accessories.
 Used for supporting the patient in the lateral position for shoulder and hip surgery.
 Universal "T" Post support with range of adjusting length sliding bars.
 Clamps directly to operating table side rail using standard clamps
 Pads and accessories connect using a quick action bayonet locking system.*

Back Support Pads

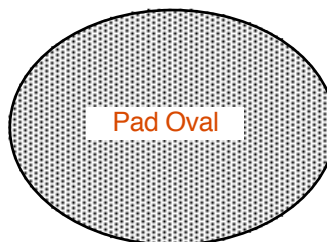
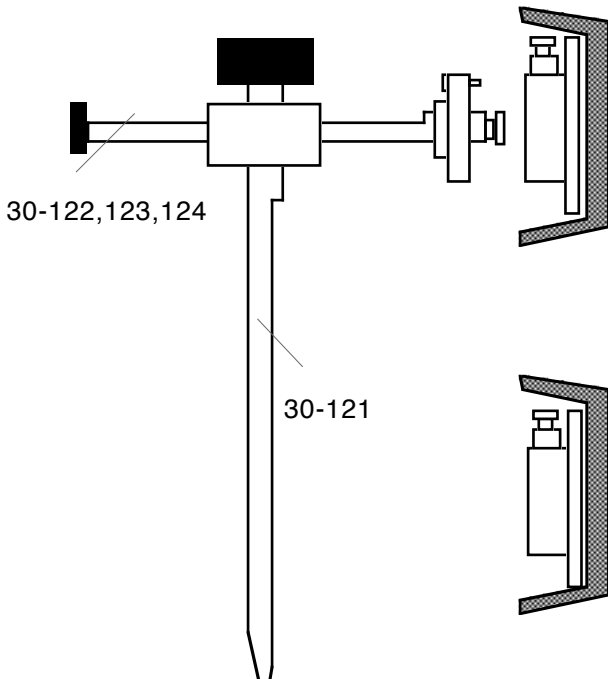


30-140



30-141

Front Support Pads



30-143



30-144



30-142

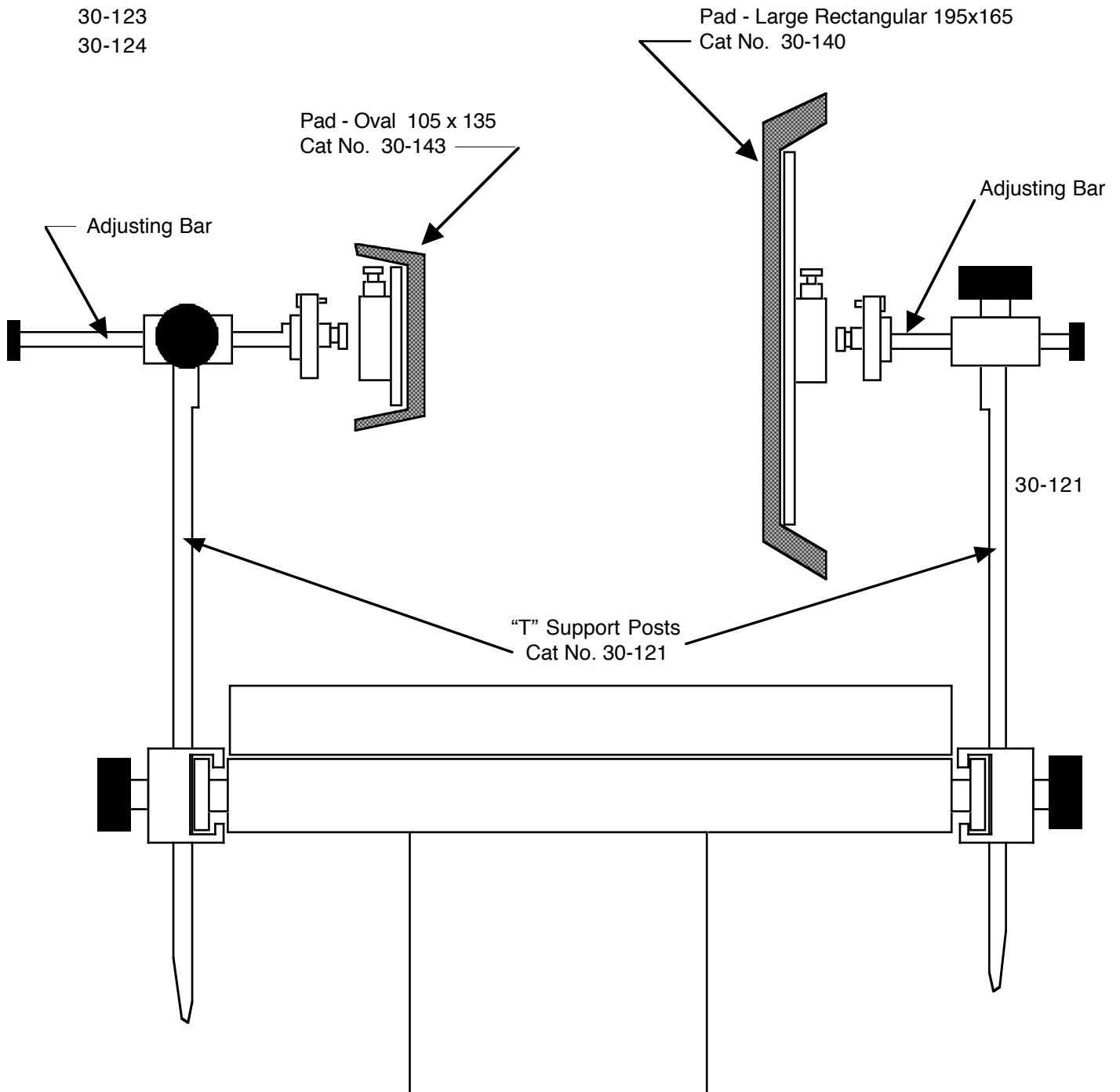
Standard Configuration Support & Pads

Standard Configuration of the Lateral Rest/Hip Clamp uses two of the rail mounting "T" Support Posts each supporting one of the three supplied Adjusting Bars to which are fitted the Pad Plates with moulded removeable Urethane Pads.

A large rectangular pad for the small of the back and an oval pad for the front.

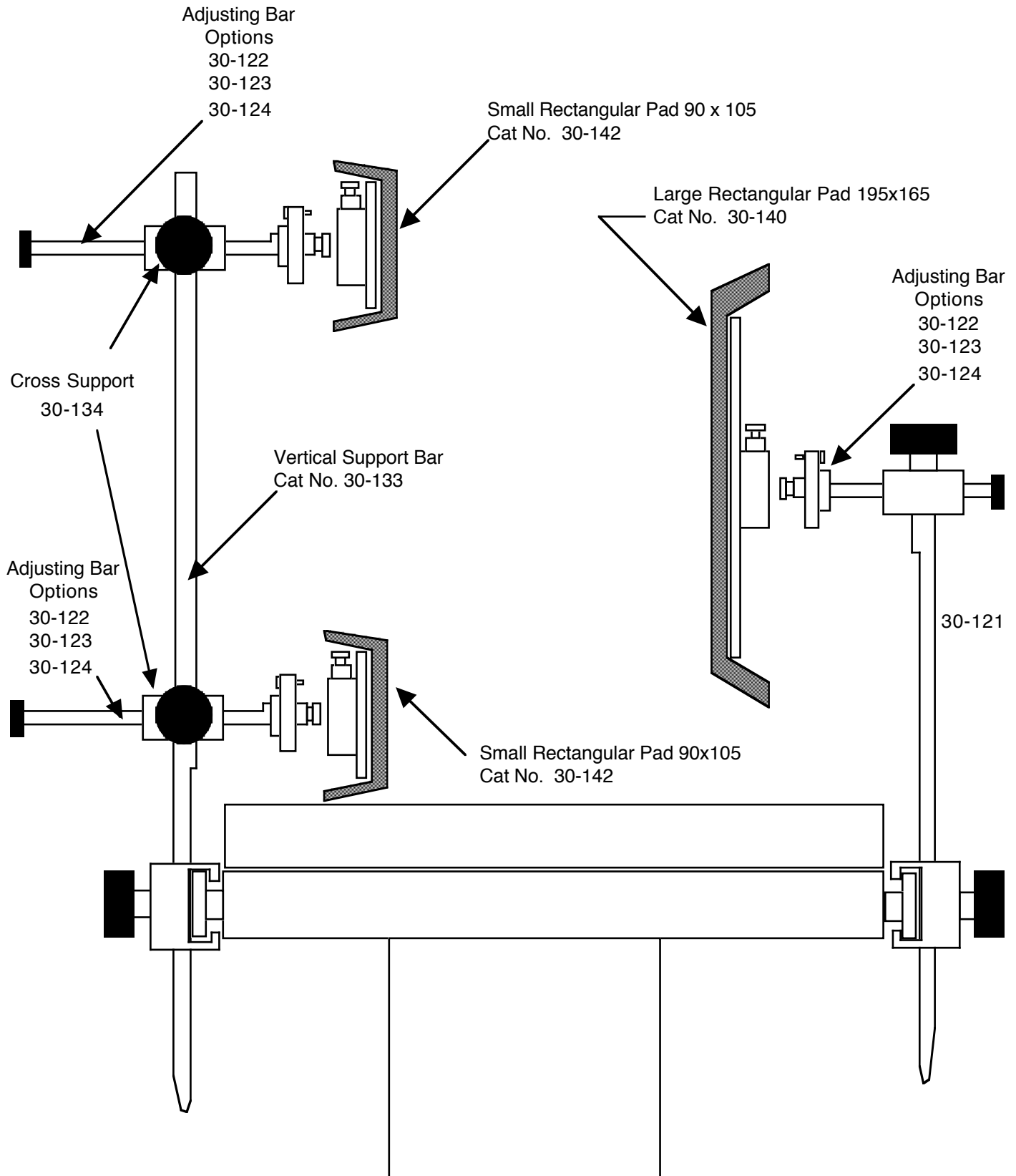
Three Adjusting Bar Sizes Supplied

- 30-122
- 30-123
- 30-124



Iliac Crests Support & Pads

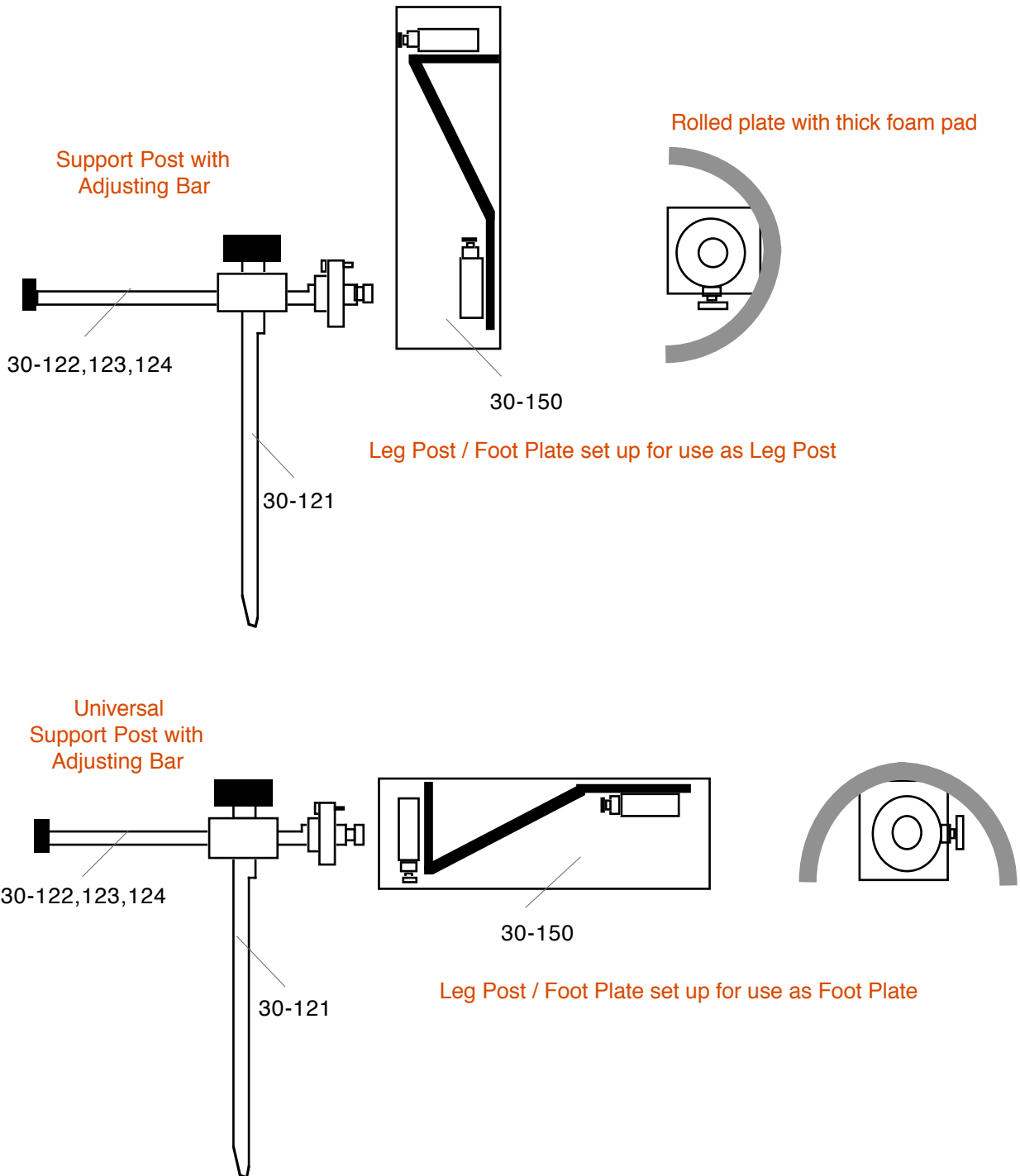
An accessory support bar which connects to the standard connection of the angled adjusting bar which carries two smaller pads for pressing against the Iliac Crests.



Leg Post / Foot Plate

The Leg Post / Foot Plate accessory comprises a rolled padded plate with two connection blocks allowing it to be mounted to the adjusting bar in a vertical orientation for use as a Leg Post for knee Arthroscopy or to be mounted in the horizontal orientation for use as a Foot Plate for knee procedures.

See Alternate System which can also be used as an Arm Rest

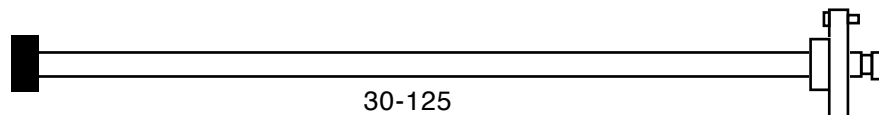
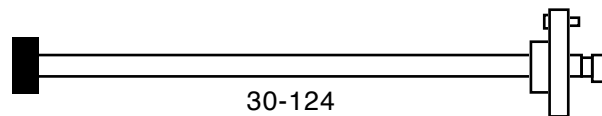
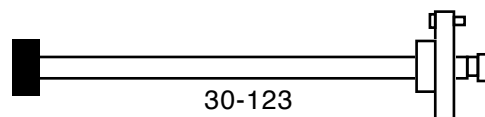
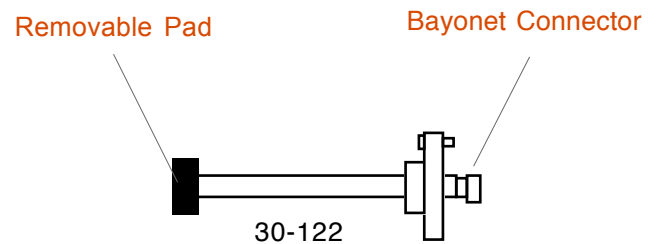


Universal Sliding Bars

A range of different length Sliding Bars are available.

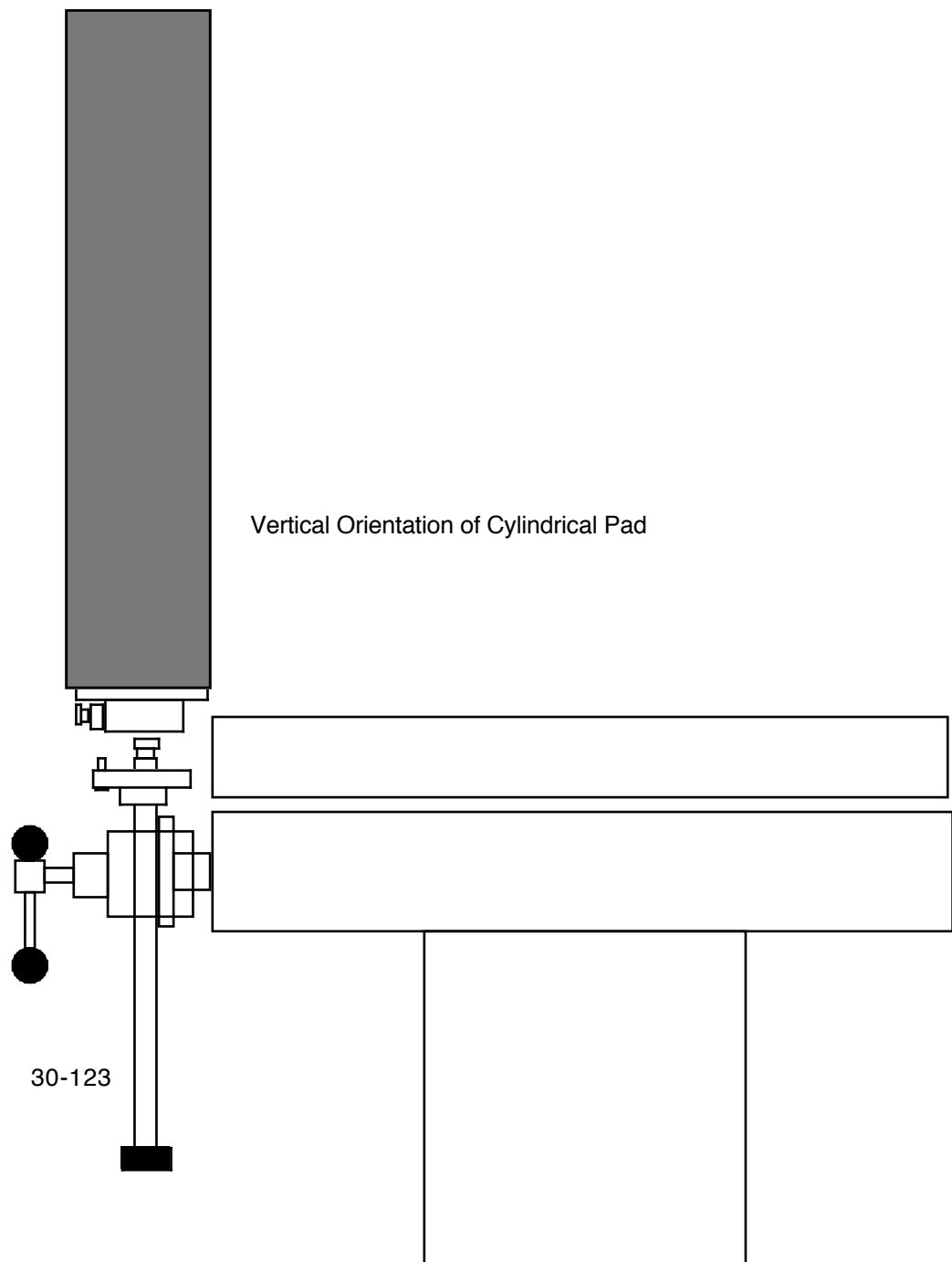
Each Sliding Bar has a common bayonet type connector with indexing pin at one end and a removable pad at the other. The removable pad serves as a restrainer to prevent the bar sliding out of the "T" Support housing and as a push pad for applying pressure onto the patient support pad.

All Sliding Bars are interchangeable with the "T" Support Posts and with any of the patient support pad systems



Cylindrical Padded Rest

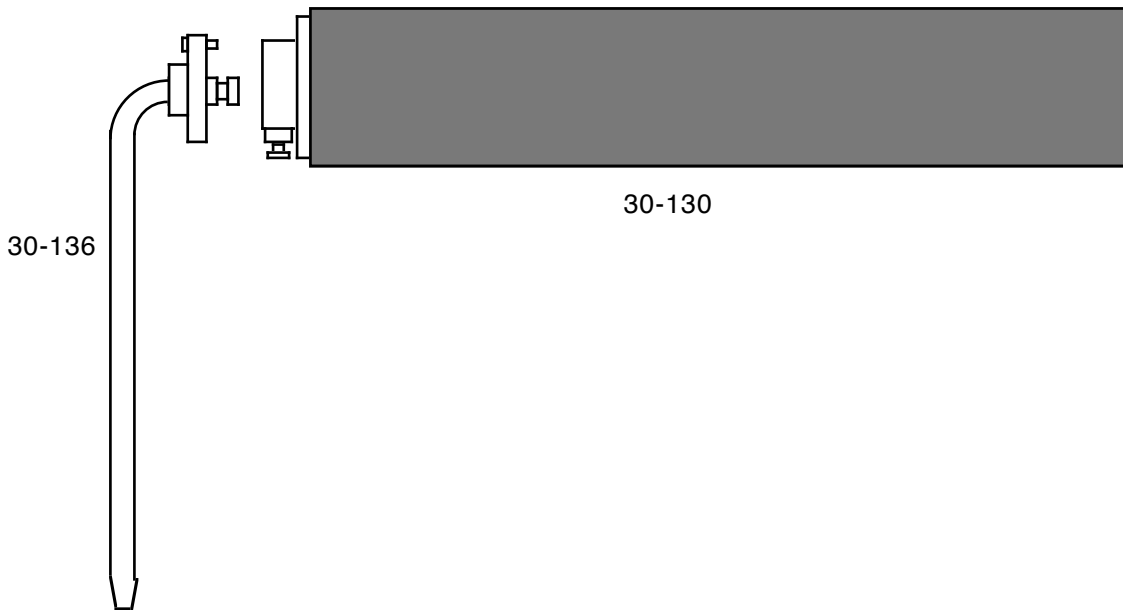
Shown here mounted to a Standard adjustable bar
and mounted into a table rail clamp to act as a Leg Post



Cylindrical Padded Rest

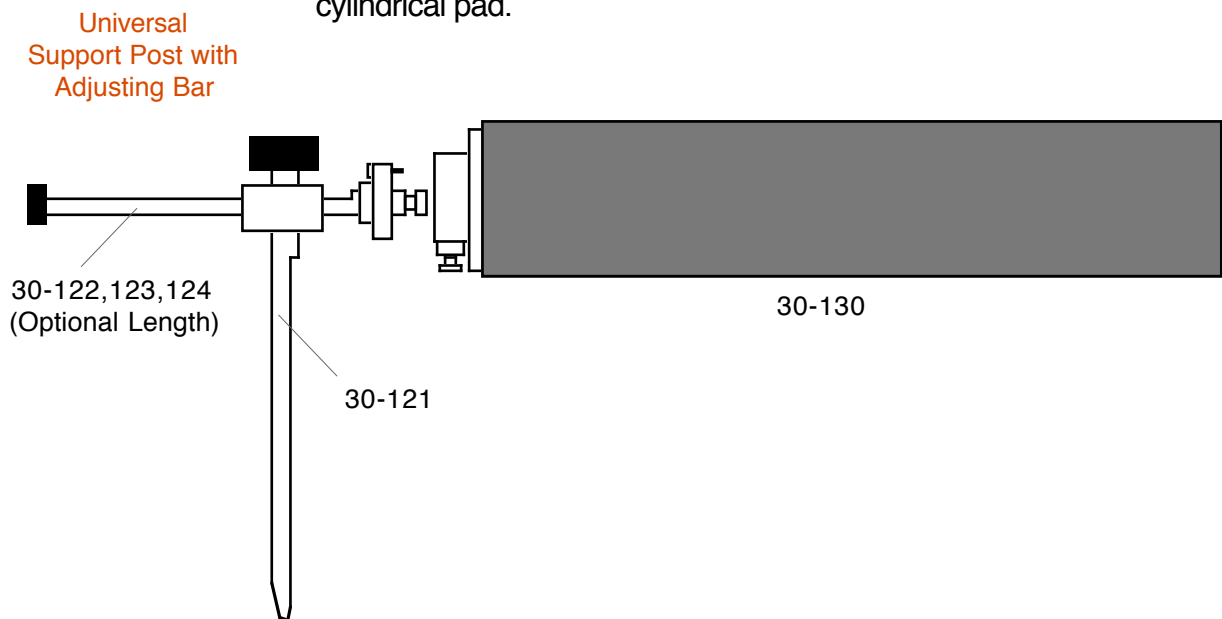
Shown here mounted to a Right angle adjusting bar and mounted into a table rail clamp to act as a Foot Rest.

Used with the Right Angle bar the cylindrical pad may be used as an arm rest as this bar can be adjusted for height above the operating table and also swivelled to any required angle. The right angle bar has no flat surface formed on the long side so it is able to be positioned to any angle across the operating table.



Shown here mounted to a Standard adjusting bar fitted into the Standard Support Post and mounted into a table rail clamp to act as a Foot Rest.

This method allows for horizontal positioning of the cylindrical pad.



Lateral Rest Configurations

*Pad Plates fitted with clip on Urethane Pads.
Detail at rear of plate shows bayonet fixing mechanism which allows a range
of pads and adjusting bars to be easily changed*



Lateral Rest Standard



*Rear view showing Cross Support
Clamp for iliac crest push pads,
adjusting bar and vertical support*



Lateral Rest System with Iliac Crest